

ALTERED STANDARD TOP JAW DIAGRAMS

When a Standard Top Jaw Won't Do!

TO ORDER

- 1 - Photocopy pages
- 2 - Fill in the required information
- 3 - Scan and email to sales@huronmachine.com

Quantity Required _____
 Chuck Make _____
 Chuck Model _____
 Chuck Size _____
 Pointed (120° included angle unless otherwise specified) _____

Company _____
 Name _____
 Title _____
 Address _____
 City _____ State _____ Zip _____
 Phone(____) _____ Fax(____) _____
 Email Address _____

| Figure: | A | B** | C** | D* | E* | F | Screw Size | Tap Size | J | N | T |
|---------|---|-----|-----|----|----|---|------------|----------|---|---|---|
| | | | | | | | | | | | |

*Standard tolerance unless otherwise specified **Standard dimensions unless otherwise specified

FIGURE: A

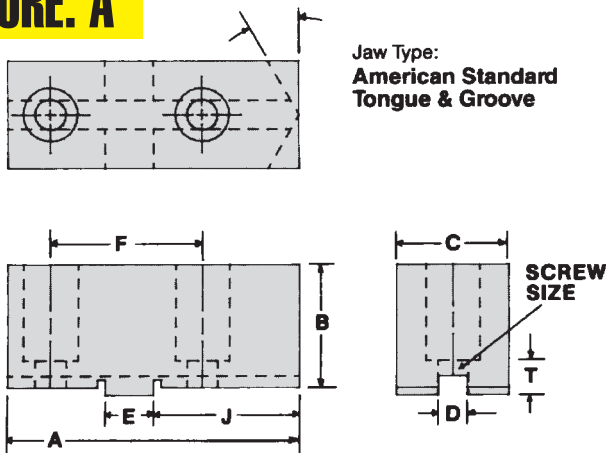


FIGURE: B

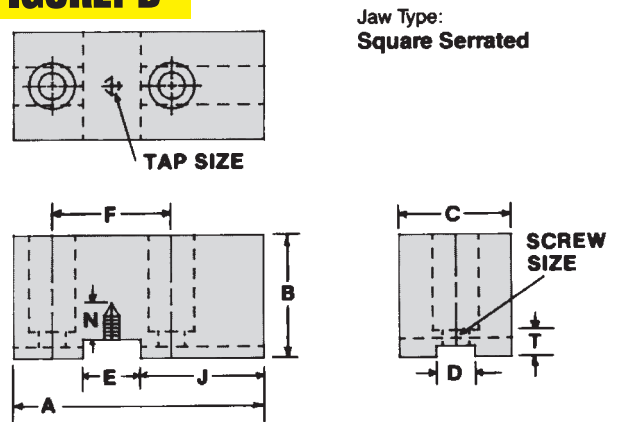


FIGURE: C

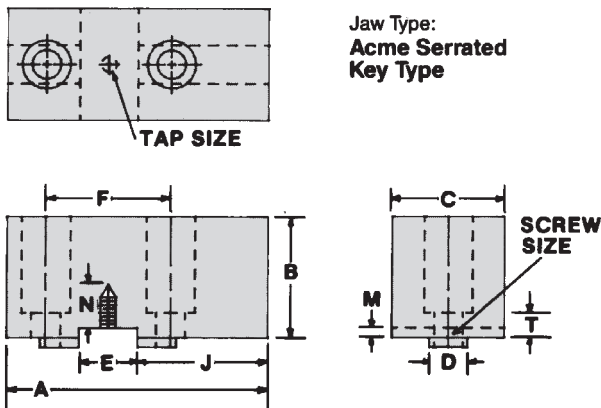


FIGURE: D

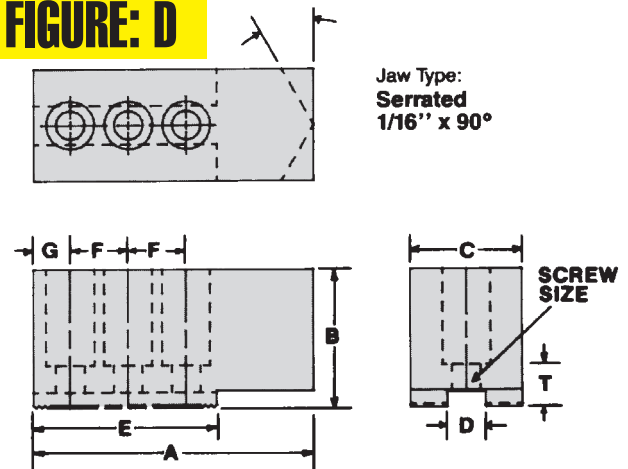


FIGURE: E

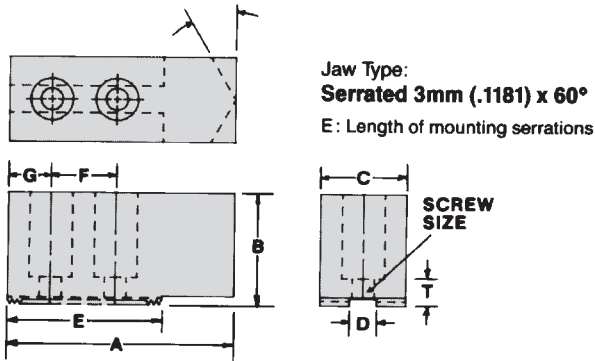


FIGURE: F

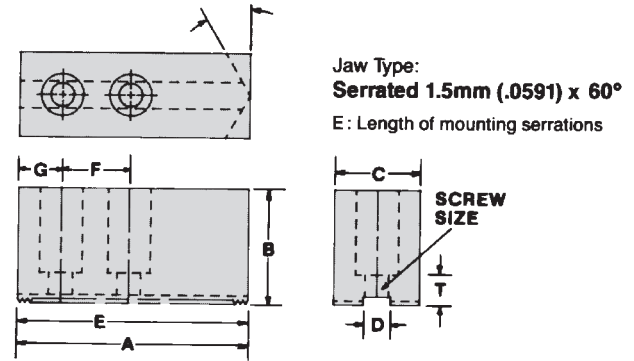


FIGURE: G

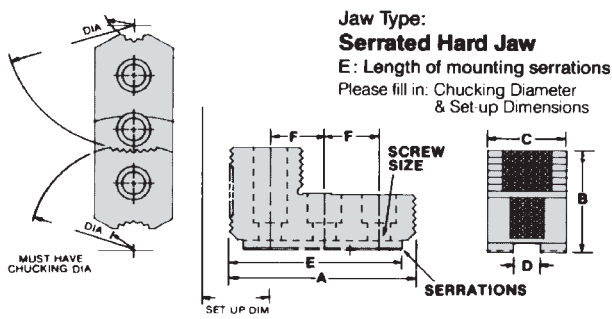


FIGURE: H

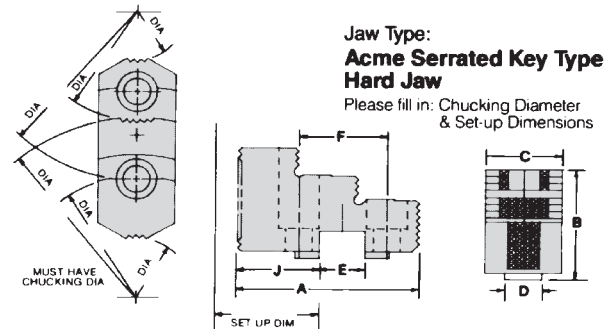


FIGURE: J

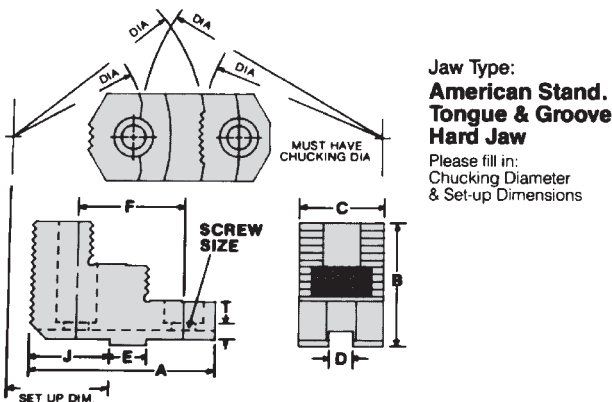


FIGURE: K

