

HEAVY DUTY MANUAL CHUCKS

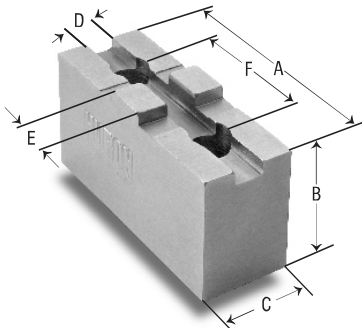


MODEL: Bergman, Buck, Cushman, Nobel, PBA, SCA, S-P, Warner & Swasey

JAW LOCK: Tongue & Groove

SOFT JAWS

AVAILABLE IN STEEL, ALUMINUM, OR SPECIAL



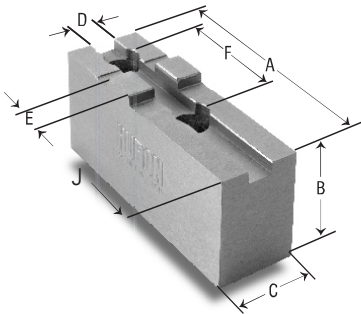
CHUCK SIZE	S T E E L						CRITICAL DIMENSIONS			
	STANDARD HEIGHT			EXTRA HIGH			D	E	F	SCREW SIZE
	ORDER #	A	B	C	ORDER #	B				
6	6HSH	2.81	1.37	1.50	6HEH	3.37	.31	.499	1.50	7/16
8	8HSH	3.31	1.87	1.50	8HEH	3.37	.31	.499	1.75	1/2
10	10HSH	3.94	1.87	1.75	10HEH	3.87	.501	.749	2.12	5/8
12	12HSH	4.50	2.12	2.00	12HEH	3.87	.501	.749	2.50	5/8
15	15HSH	5.18	2.25	2.50	15HEH	4.75	.501	.749	3.00	3/4
18 up	18HSH	5.18	2.75	2.50	18HEH	4.75	.501	.749	3.00	3/4

SOFT JAWS are for minimum marring and can be bored and turned to suit any work piece. **STEEL** soft jaws are made from 1018 Cold Roll and can be case hardened. **ALUMINUM** soft jaws are made from 6061-T6 weldable.

When ordering **ALUMINUM SOFT JAWS** put an "A" before order # EX: A6HSH.

OFF SET SOFT JAWS

AVAILABLE IN STEEL, ALUMINUM, OR SPECIAL



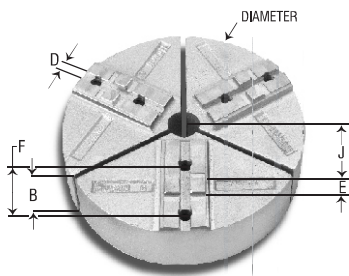
CHUCK SIZE	S T E E L						CRITICAL DIMENSIONS				
	STANDARD HEIGHT				EXTRA HIGH		D	E	F	SCREW SIZE	
	ORDER #	A	B	C	J	ORDER #					B
6	6HSHO	3.25	1.37	1.50	1.813	6HEHO	3.37	.31	.499	1.50	7/16
8	8HSHO	3.75	1.87	1.50	2.188	8HEHO	3.37	.31	.499	1.75	1/2
10	10HSHO	4.62	1.87	1.75	2.625	10HEHO	3.87	.501	.749	2.12	5/8
12	12HSHO	5.37	2.12	2.00	3.125	12HEHO	3.87	.501	.749	2.50	5/8
15	15HSHO	6.25	2.25	2.50	3.625	15HEHO	4.75	.501	.749	3.00	3/4
18 up	18HSHO	6.37	2.75	3.00	3.750	18HEHO	4.75	.501	.749	3.00	3/4

OFFSET SOFT JAWS are for minimum marring and can be bored and turned to suit any work piece. **POINTED OFFSET SOFT JAWS** are used for small diameter parts. **STEEL** soft jaws are made from 1018 Cold Roll and can be case hardened. **ALUMINUM** soft jaws are made from 6061-T6 weldable.

When ordering **ALUMINUM SOFT JAWS** put an "A" before order # EX: A6HSHO. When ordering **POINTED SOFT JAWS** put a "P" after order # EX: 6HSHOP

FULL GRIPS

AVAILABLE IN ALUMINUM, CAST IRON, STEEL OR SPECIAL



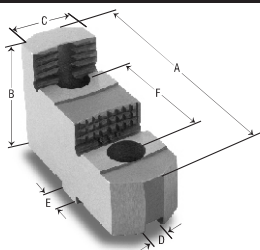
CHUCK DIAM. SIZE	A L U M I N U M						CRITICAL DIMENSIONS				
	STANDARD HEIGHT			EXTRA HIGH			D	E	F	SCREW SIZE	
	ORDER #	B	B*	J	ORDER #	B					B*
6	A6HSHFG	2.00	1.75	1.50	A6HEHFG	4.00	2.75	.31	.499	1.50	7/16
8	A8HSHFG	2.00	1.75	2.25	A8HEHFG	4.00	3.25	.31	.499	1.75	1/2
10	A10HSHFG	2.00	1.75	2.75	A10HEHFG	4.00	3.25	.501	.749	2.12	5/8
12	A12HSHFG	2.00	2.00	3.50	A12HEHFG	4.00	3.50	.501	.749	2.50	5/8
15	A15HSHFG	2.50	2.13	4.50	A15HEHFG	4.00	3.63	.501	.749	3.00	3/4
18	A18HSHFG	2.00	2.13	5.00	A18HEHFG	4.00	3.63	.501	.749	3.00	3/4
21	A21HSHFG	2.00	2.13	7.13	A21HEHFG	4.00	3.63	.501	.749	3.00	3/4
24	A24HSHFG	2.00	2.50	7.13	A24HEHFG	4.00	4.00	.501	.749	3.00	3/4

FULL GRIPS are for thin wall and irregular shaped parts and can be machined to suit any work piece. **ALUMINUM** full grips are made from SR319 Alloy weldable. **CAST IRON** full grips are made from F/6 weldable gray class 30 with 30,000lbs. Tensile strength.

B* is the dimension for **CAST IRON** Full Grips. When ordering **CAST IRON FULL GRIPS** put a "C" before Order # EX: C6HSHFG. When ordering **STEEL FULL GRIPS** drop "A" OR "C" before order # EX: 6HSHFG.

HARD JAWS

AVAILABLE IN STEEL OR SPECIAL



CHUCK SIZE	S T E E L						CRITICAL DIMENSIONS			
	2-STEP			HEIGHT TO 1st STEP	HEIGHT TO 2nd STEP	D	E	F	SCREW SIZE	
	ORDER #	A	B							C
8	8HDRJ2S	3.560	1.87	1.25	.817	1.250	.310	.500	1.75	1/2
10	10HDRJ2S	3.793	2.37	1.75	1.000	1.685	.510	.749	2.12	5/8
12	12HDRJ2S	4.357	2.37	1.75	1.000	1.680	.510	.749	2.50	5/8
15 & up	15HDRJ2S	5.500	3.25	2.50	1.500	2.375	.510	.749	3.00	3/4

HARD JAWS are reversible for ID & OD gripping and are for first operation roughing. **HARD JAWS** are made from 1018 case hardened to 56-58 rockwell .020 to .030 deep.

For Immediate Assistance Call 1-800-327-8186
VISA & Master Card Accepted